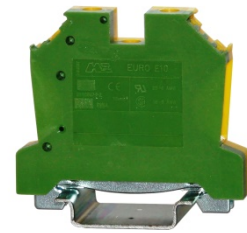
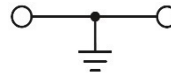




EURO E10

Article: **43458**

Earth Terminal Block - Yellowgreen
 Screw connection - 10mm² / 6AWG - Width 10mm



GENERAL DATA

Series	EURO E10
Item	43458
Weight/Piece	30,0 g
Catalog	01
Customs tariff	85369095
Colour	YellowGreen

TECHNICAL DATA / DIMENSIONS

Dimensions

Width mm	10
Length mm	58
Height mm	44
Mounting type (EN 60715)	Omega TH35

Technical data

Maximum load current	-
Insulating material	PA
Self-extinguishing degree acc. to UL94	V0
Rated surge voltage	6kV
Pollution degree	3
Surge voltage category	III
Insulating material group	I
Nominal Voltage	-
Nominal Current	-
Temperature index, insulating material – Elec. UL 746 B - RTI	130°C
Static insulating material lower permissible temperature	-60°C

Connection data

Conductor cross-section solid min/max	1.50 / 10 mm ²
Conductor cross-section stranded min/max	1.50 / 10 mm ²



AWG min/max	20–6 AWG
Max conductor cross-section stranded with ferrule with plastic sleeve	10 mm ² / L=12mm
Stripping length	max 13 mm
Screw	M4 – Zinc plated steel
Tightening torque	2.3Nm
Earth Screw	M3,5 – Zinc plated steel
Tightening torque	0,8Nm
Clamp	Zinc plated steel
Metal part	Zinc plated steel

APPROVALS



EN60947-7-2

10mm²

EN60068-2-11

Salt mist test for 96 hours

ENEL DV27

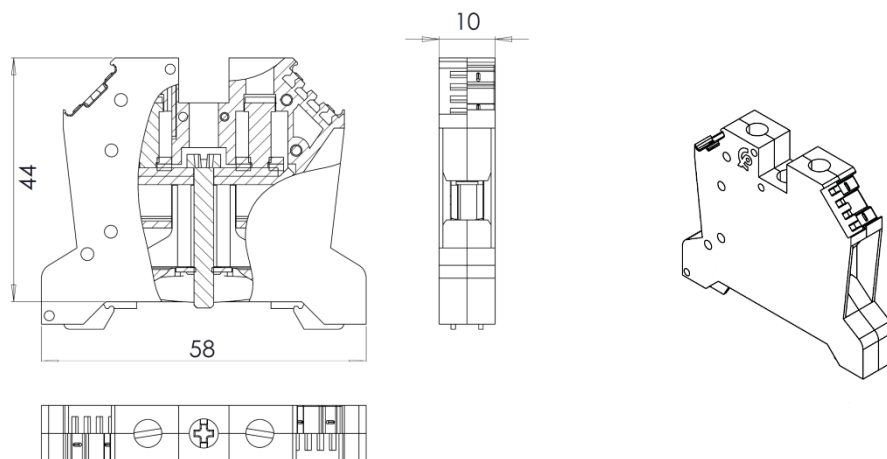


UL1059

E203985

AWG 20-6

TECHNICAL DRAWINGS





ACCESSORIES

Marking

Item	Description
43059	Single-digit marking tag (5 x 3 mm) - white
43060/0 ÷ 43060/9	Single-digit marking tag (5 x 3 mm) – with marking: 0 ÷ 9
43060/A ÷ 43060/Z	Single-digit marking tag (5 x 3 mm) – with marking: A ÷ Z
43094	Marking tag adapter – 6 slots for marking tags
43192	Marking tags (5 x 12 mm) - white (<i>special marking on request</i>)
43196	Marking tags (6 x 12 mm) - white (<i>special marking on request</i>)
438MFC0512TB	Tags 5x12 for MI Series and 438MWK0512TBA (45tags x 20cards)
438MFC0612TB	Tags 6x12 for MI Series and 438MWK0512TBA (39tags x 20cards)

DIN RAIL system - Mounting and Installation material

Item	Description
43910	Steel Omega rail TH35/7,5mm - 2mt length
43910/F	Slotted steel Omega rail TH35/7,5mm - 2mt length
43911	Steel Omega rail TH35/15mm - 2mt length
43911/F	Slotted steel Omega rail TH35/15mm - 2mt length
43028	Angled support bracket
43442	EURO STOP – End bracket width 9
43444	EURO STOP – End bracket width 6
43447	EURO STOP – Snap-on end bracket width 6
43448	EURO STOP – Tag Carrier for TH35 or TH15 DinRail